



Avermann



Muncher

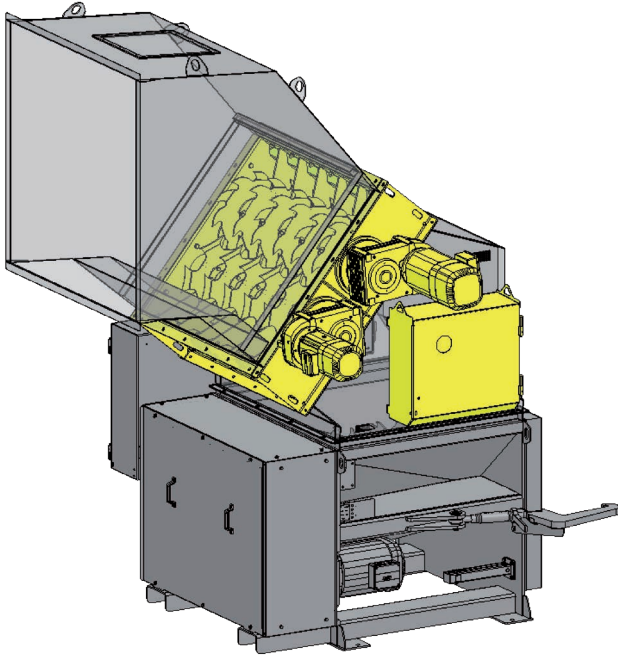
The turbocharger for your waste disposal solution

Designed according to the latest safety guidelines, the muncher is a versatile tool. Whether wooden pallets or a wide variety of cardboard and paper fractions, the AVOS ZR allows you to optimally adapt the work result to your requirements in the smallest of spaces. In connection with the integrable hopper system, the shredder has a noise and splinter protection system that ensures optimal safety during operation. Perfectly suited for various systems such as horizontal balers and two-ram balers as well as stationary compactors and screw compactors.

Your benefits:

- + **Efficient:** Easily shreds wood and bulky cardboard boxes
- + **Low maintenance:** Easy handling, no set-up work
- + **Stable:** Sturdy construction for a long lifetime
- + **Universal:** All-purpose utilisation in combination with horizontal balers, stationary compactors and waste disposal systems

Muncher



Screw compactor with integrated muncher and hopper system



AVOS 1211+ZR-1380



Large-volume cartons processed thanks to AVOS 1211+ZR-1380

Technical data

	ZR-1380	ZR-1816
Machine length incl. motors	2.448 mm	2.884 mm
Machine width	1.460 mm	1.460 mm
Machine height (ripping teeth diameter)	460 mm	460 mm (600 mm)
Inner length	1.380 mm	1.816 mm
Inner width	1.300 mm	1.300 mm
Drive capacity ripping shaft	7,5 kW	7,5 kW
Drive capacity feeding shaft	4 kW	4 kW

Valid for all machine types:

Available in all standard RAL colors, other RAL colors on request.